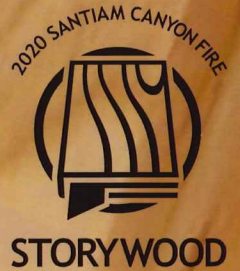


2020 SANTIAM CANYON FIRE



STORYWOOD



This custom-designed Storywood conference table was built using quality materials which experienced a distinctive history prior to being salvaged and crafted into a new product. After years of growth in the beautiful Santiam Canyon in the Detroit Lake recreation area frequented by hikers, boaters, and fisherman, this old growth Douglas fir tree fell to the historic wildfires of 2020. Made by skilled craftsmen at the Oregon State Penitentiary, this table was created as part of the Oregon Corrections Enterprises (OCE) adult in custody (AIC) work skills training program.

In partnership with Oregon Department of Corrections, OCE promotes public safety by providing AICs with work and training opportunities. OCE strives to offer meaningful skills for tomorrow's job market which continue to provide second-chance opportunities to AICs while incarcerated. To learn more about this program, opportunities OCE provides to Oregon AICs, and other products made from Storywood,

- visit our website at <https://oce.oregon.gov/>,
- contact our Inside Sales Representatives at insidesales@oce.oregon.gov,
- or call 800-776-7712.

Storywood

Conference Table
96" (8') x 40" (3' 4")



NOTICE: THIS DRAWING IS PROPERTY OF OREGON CORRECTIONS ENTERPRISES AND CONTAINS INFORMATION THAT IS CONFIDENTIAL. NO REPRODUCTION OR COPIING OF THIS DRAWING OR ANY PART OF IT, IN WHOLE OR IN PART IS PROHIBITED.

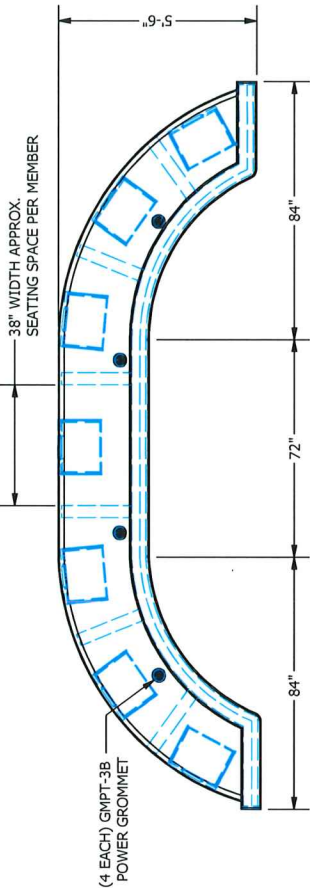
CITY COUNCIL CHAMBERS DIAS

20' X 5'-5" X 3'-1"

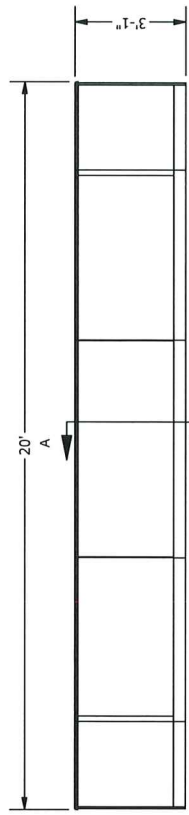
DRAWN BY	DATE
MC	5/17/2017
CHECKED BY	DATE
TW	5/17/2017
APPROVAL	DATE
	5/17/2017

SUBMITTED
 5/17/2017

MODEL FILE	FOR APPROVAL
PRODUCT NO.	PENDING
DRAWING NO.	PL/04-0050
SCALE	FF0417-0056
SHEET	1 OF 1
REV#	B

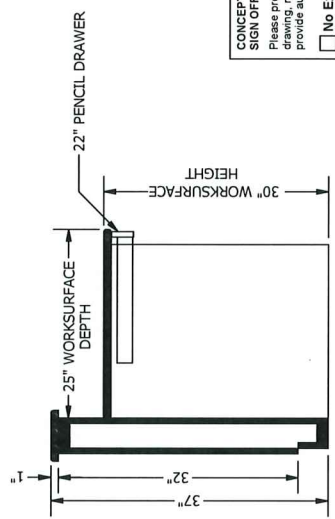


PLAN VIEW



FRONT VIEW

- VERTICAL WALLS AND TOP CAPS TO BE RED OAK HARDWOODS & VENEERS
- TOE KICK FACED WITH BLACK LAMINATE
- WORKSURFACE: CUSTOMER SELECT LAMINATE COLORS TBD
- DIAS ALSO INCLUDES:
 (4) EACH GMPT-3B POWER GROMMETS, REQUIRED WIRE MANAGEMENT AND (7) 22" PENCIL DRAWERS (1 FOR EACH MEMBER)



SECTION A-A
 SCALE: 1/16" = 1"

CONCEPTUAL DRAWING FOR CUSTOMER SIGN OFF ONLY, NOT INTENDED FOR PRODUCTION
 Please provide comment on conceptual drawing, mark appropriate box below, provide authorized signature and fax to 503-373-1086

No Exceptions Noted
 Revise & Re-Submit
 X

Signature _____ Date _____



**OREGON
CORRECTIONS
ENTERPRISES**

P.O. BOX 12849
SALEM, OR 97309

PH: (503) 378-5276

NOTICE: THIS DRAWING IS
PROPERTY OF OREGON
CORRECTIONS ENTERPRISES AND
SHOULD NOT BE REPRODUCED OR
NOT TO BE USED EXCEPT IN
CONNECTION WITH THE PROJECT
CONSIDERATION OF BIDS OR
PROPOSALS TENDERED HERewith.
THIS DRAWING, IN WHOLE OR IN
PART IS PROHIBITED.

CITY ATTORNEY/CITY MANAGER/RECORDER
DESK
120" x 30" x 31-1/2"

DATE	6/21/2017
BY	TW
DATE	6/21/2017
BY	TW
DATE	6/21/2017
BY	TW

**FOR
APPROVAL**
6/21/2017

**FOR
APPROVAL**
6/21/2017

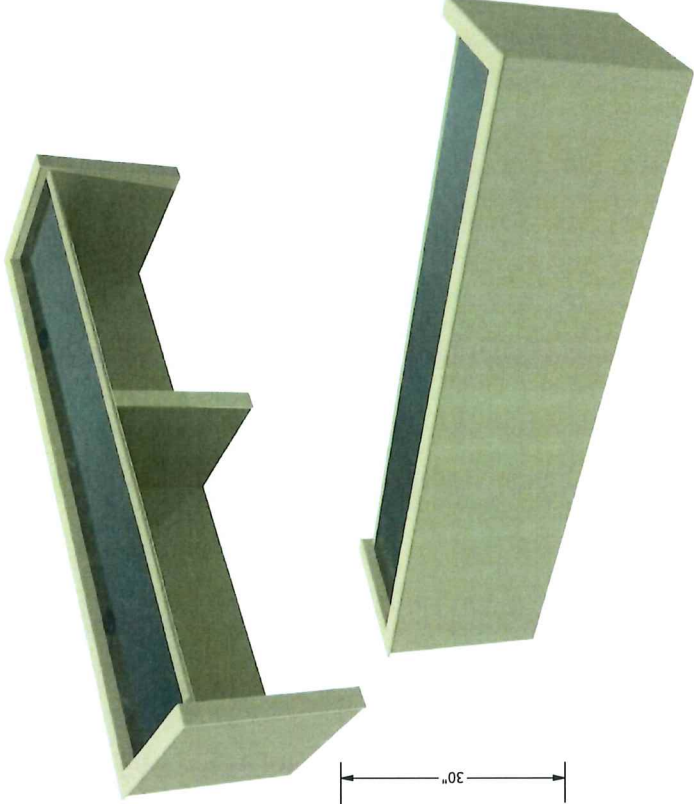
MODEL FILE PENDING

PRODUCT NO. P1704-0052

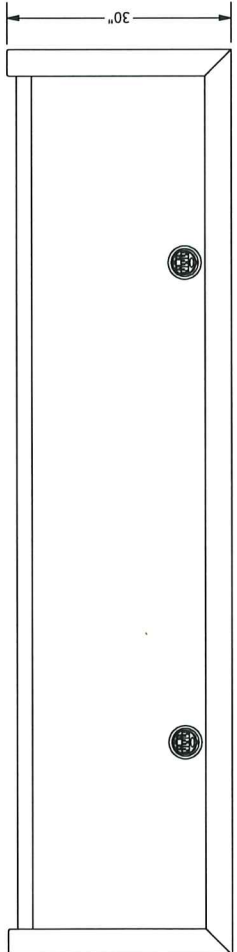
DRAWING NO. FF0417-0058

SCALE: (UNO) 3/32" = 1" REV: B

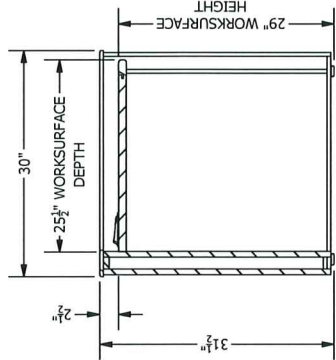
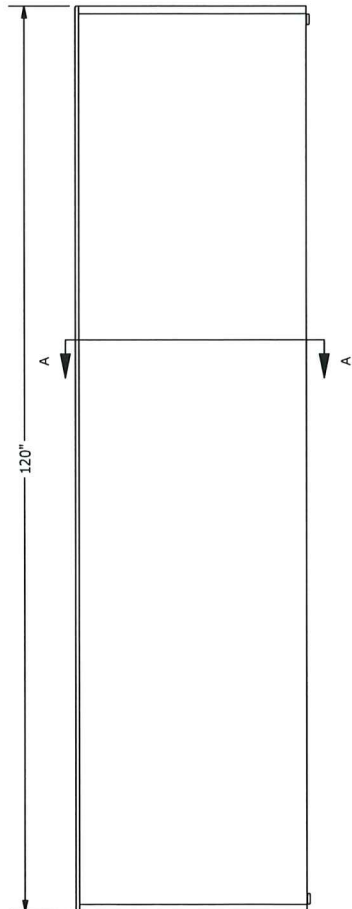
SHEET 1 OF 1



TOP VIEW



FRONT VIEW



SECTION A-A

- VERTICAL WALLS AND TOP CAPS TO BE RED OAK HARDWOODS & VENEERS
- WORKSURFACE - CUSTOMER SELECT LAMINATE COLORS TBD

CONCEPTUAL DRAWING FOR CUSTOMER
SIGN OFF ONLY, NOT INTENDED FOR PRODUCTION
Please provide comment on conceptual
drawing, mark appropriate box below,
provide authorized signature and fax to 503-373-1688

No Exceptions Noted
 Revise & Re-Submit
 X

Signature _____ Date _____

NOTICE: THIS DRAWING IS
PROPERTY OF OREGON
CORRECTIONS ENTERPRISES AND
CONTAINS INFORMATION THAT IS
CONFIDENTIAL. IT IS TO BE
USED ONLY FOR THE
CONSIDERATION OF BIDS OR
PROPOSALS TENDERED HEREWITH.
REPRODUCTION OR COPYING OF
THIS DRAWING, IN WHOLE OR IN
PART IS PROHIBITED.

VISITOR'S DESK

60" x 24" x 31-1/2"

DRAWN BY	MCO	DATE	5/17/2017
CHECKED BY	TW	DATE	5/17/2017
DESIGNED BY		DATE	
APPROVAL		DATE	5/17/2017
DRAWING STATUS			

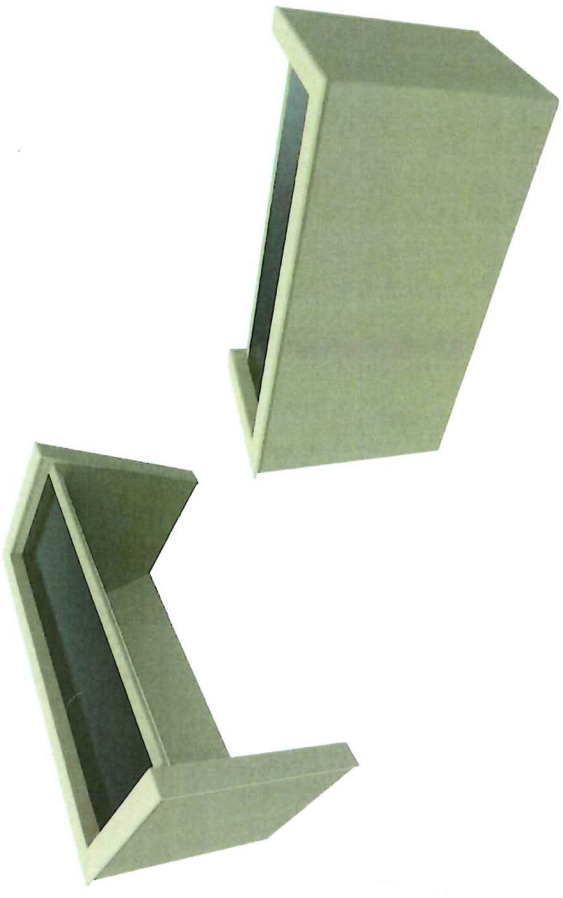
SUBMITTED
5/17/2017

**FOR
APPROVAL**
MODEL FILE
PENDING

PRODUCT NO.
P1704-0051

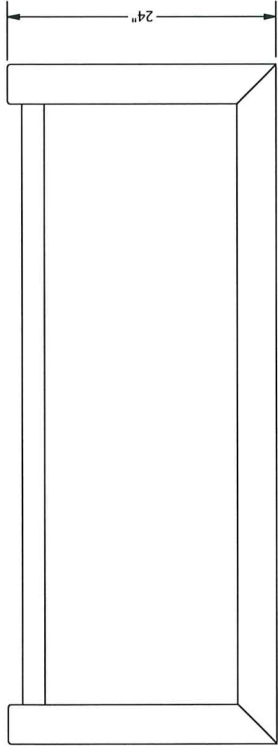
DRAWING FILE
FF0417-0057

SCALE: 3/32" = 1" REF: A
SHEET 1 OF 1

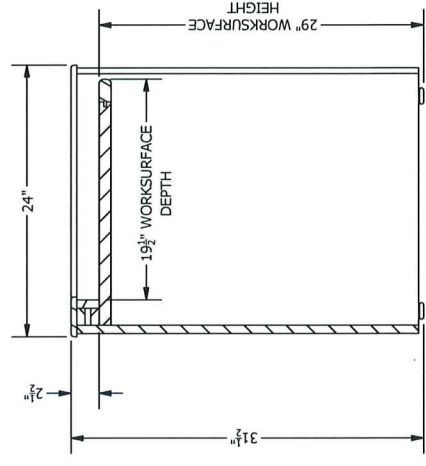


- VERTICAL WALLS AND TOP CAPS TO BE RED OAK HARDWOODS & VENEERS
- WORKSURFACE - CUSTOMER SELECT LAMINATE COLORS TBD

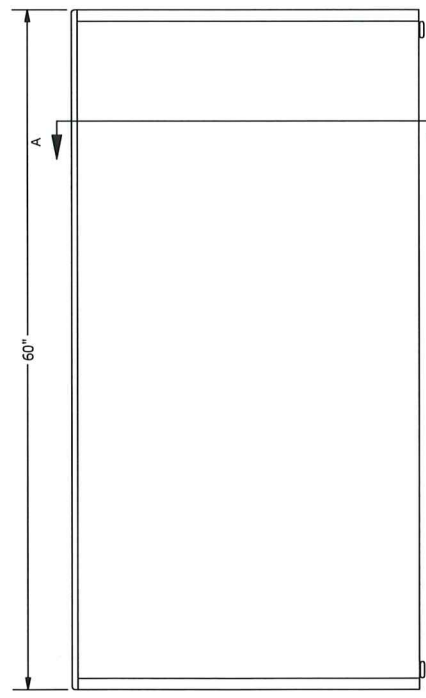
TOP VIEW



SECTION A-A



FRONT VIEW



**CONCEPTUAL DRAWING FOR CUSTOMER
SIGN OFF ONLY, NOT INTENDED FOR PRODUCTION**
Please provide comment on conceptual
drawing, mark appropriate box below,
provide authorized signature and fax to 503-373-1086

No Exceptions Noted
 Revise & Re-Submit
 X

Signature _____ Date _____

